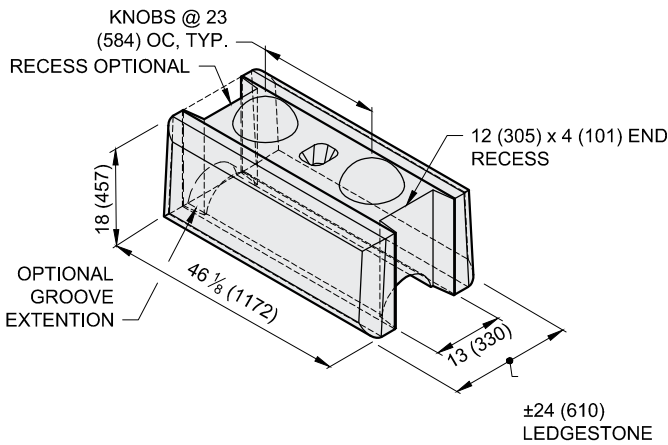


VARIABLE RADIUS MIDDLE

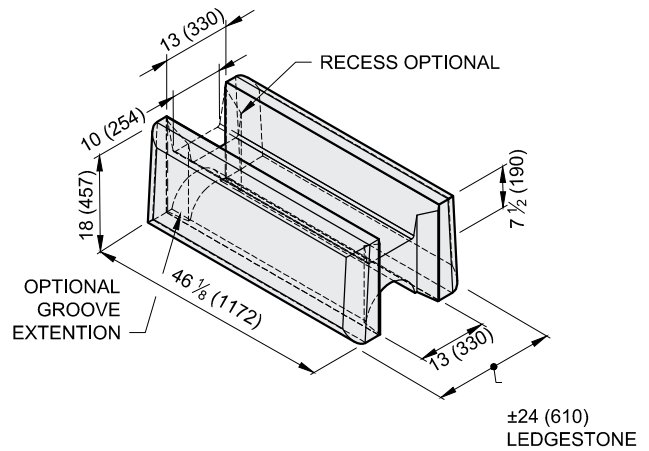
#0840 CFM

Face Texture: LedgeStone
 Block Weight: 1124 lb (510 kg)
 Block Volume: 7.86 ft³ (0.223 m³)



VARIABLE RADIUS GARDEN TOP #0844 CFG

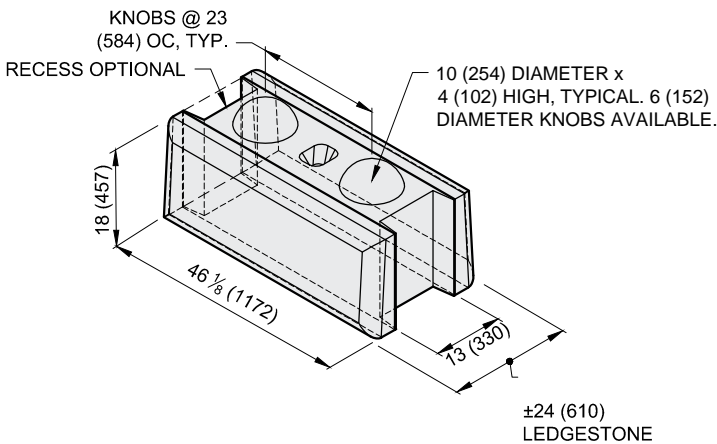
Face Texture: LedgeStone
 Block Weight: 824 lb (374 kg)
 Block Volume: 5.76 ft³ (0.163 m³)



VARIABLE RADIUS BOTTOM

#0842 CFB

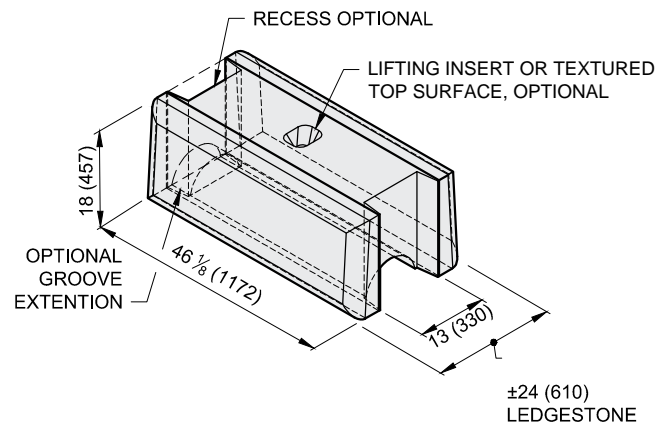
Face Texture: LedgeStone
 Block Weight: 1238 lb (561 kg)
 Block Volume: 8.66 ft³ (0.245 m³)



VARIABLE RADIUS TOP

#0838 CFT

Face Texture: LedgeStone
 Block Weight: 1092 lb (495 kg)
 Block Volume: 7.64 ft³ (0.216 m³)



1. Units for dimensions are inches (mm), typical unless noted otherwise.
2. Confirm block production with licensed Redi-Rock manufacturer.
3. Variable radius feature can be cast on only one end, coordinate.
4. Architectural faces on the blocks have varying texture.

5. Actual block volumes and weights may vary.
6. Weights are based upon a concrete density of 143 lb/ft³ (2291 kg/m³).
7. Knobs are typically 10" (254 mm) diameter by 4" (102 mm) tall. Smaller knobs are available.



**SOUTH OKANAGAN
 CONCRETE PRODUCTS LTD**

TEL: 250-495-7556
 socp@socp.ca
 www.socp.ca

Block Library
 FREE STANDING BLOCKS
 Variable Radius