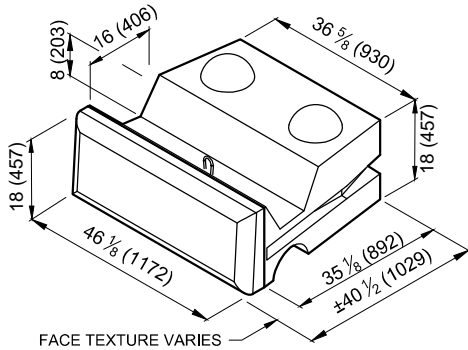
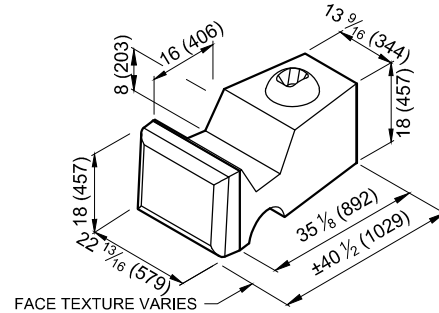


41" (1030mm) PLANTER**#0810 41P**

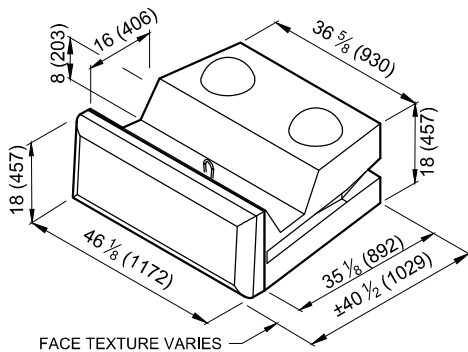
Face Texture: LedgeStone
 Block Weight: 1934 lb (877 kg)
 Block Volume: 13.53 ft³ (0.38 m³)
 Center of Gravity: 18.4" (468 mm)

**41" (1030mm) HALF PLANTER #0810 41HP**

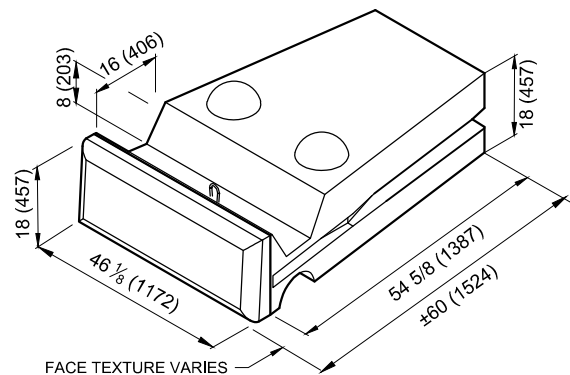
Face Texture: LedgeStone
 Block Weight: 843 lb (382 kg)
 Block Volume: 5.89 ft³ (0.17 m³)
 Center of Gravity: 19.5" (495 mm)

**41" (1030mm) PLANTER BASE #0810 41HPB**

Face Texture: LedgeStone
 Block Weight: 1934 lb (877 kg)
 Block Volume: 13.53 ft³ (0.38 m³)
 Center of Gravity: 18.4" (468 mm)

**60" (1524mm) PLANTER #0814 60P**

Face Texture: LedgeStone
 Block Weight:
 Block Volume:
 Center of Gravity:



1. Units for dimensions are inches (mm), typical unless noted otherwise.
2. Confirm block production with licensed Redi-Rock manufacturer.
3. Center of Gravity is measured from the back of block.
4. Actual block volumes and weights may vary.
5. Weights are based upon a concrete density of 143 lb/ft³ (2291kg/m³).

6. Half blocks contain a fork slot on only one side of the block.
7. Interface Shear knobs are typically 10" (254 mm) diameter by 4" (102 mm) tall.



TEL: 250-495-7556
 socp@socp.ca
 www.socp.ca

Block Library
 RETAINING BLOCKS
 Planter Setback