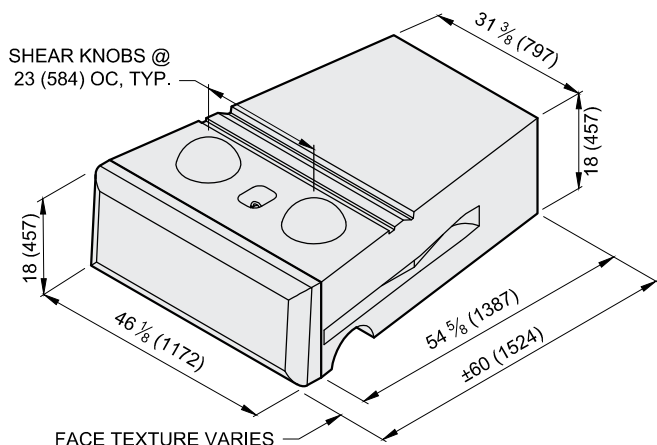
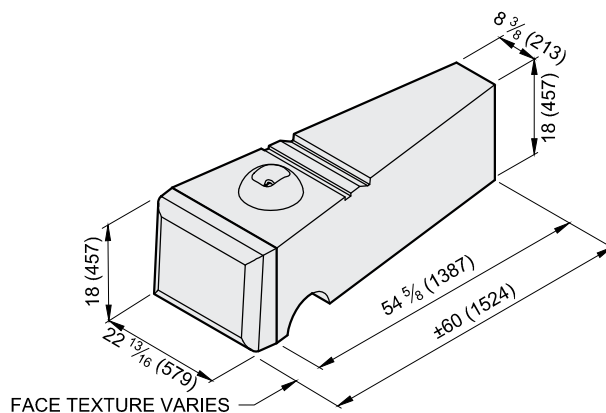


60" (1520mm) MIDDLE**#0812 60M**

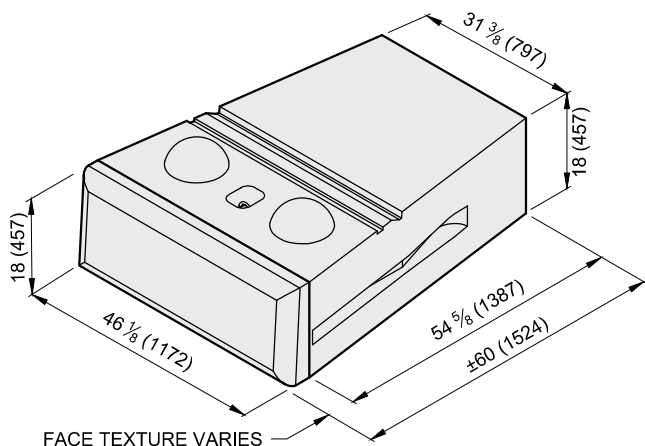
Face Texture: LedgeStone
 Block Weight: 3216 lb (1458 kg)
 Block Volume: 22.49 ft³ (0.637 m³)
 Center of Gravity: 30.4" (772 mm)

**60" (1520mm) HALF MIDDLE****#0813 60HM**

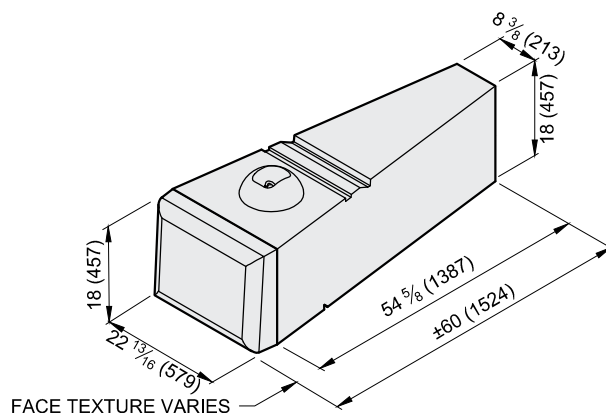
Face Texture: LedgeStone
 Block Weight: 1300 lb (590 kg)
 Block Volume: 9.09 ft³ (0.258 m³)
 Center of Gravity: 33.1" (840 mm)

**60" (1520mm) BOTTOM****#0813 60B**

Face Texture: LedgeStone
 Block Weight: 3346 lb (1518 kg)
 Block Volume: 23.40 ft³ (0.663 m³)
 Center of Gravity: 31.0" (788 mm)

**60" (1520mm) HALF BOTTOM****#0813 60 HB**

Face Texture: LedgeStone
 Block Weight: 1364 lb (618 kg)
 Block Volume: 9.52 ft³ (0.270 m³)
 Center of Gravity: 33.7" (856 mm)



1. Units for dimensions are inches (mm), typical unless noted otherwise.
2. Confirm block production with licensed Redi-Rock manufacturer.
3. Center of Gravity is measured from the back of block.
4. Actual block volumes and weights may vary.
5. Weights are based upon a concrete density of 143 lb/ft³ (2291kg/m³).

6. 60" (1520 mm) are typically used at the bottom of taller walls.
7. Half blocks contain a fork slot on only one side of the block.
8. Interface Shear knobs are typically 10" (254mm) diameter by 4" (102mm) tall. Smaller knob diameters are available.



**SOUTH OKANAGAN
 CONCRETE PRODUCTS LTD**

TEL: 250-495-7556
socp@socp.ca
www.socp.ca

Block Library
60" RETAINING BLOCKS