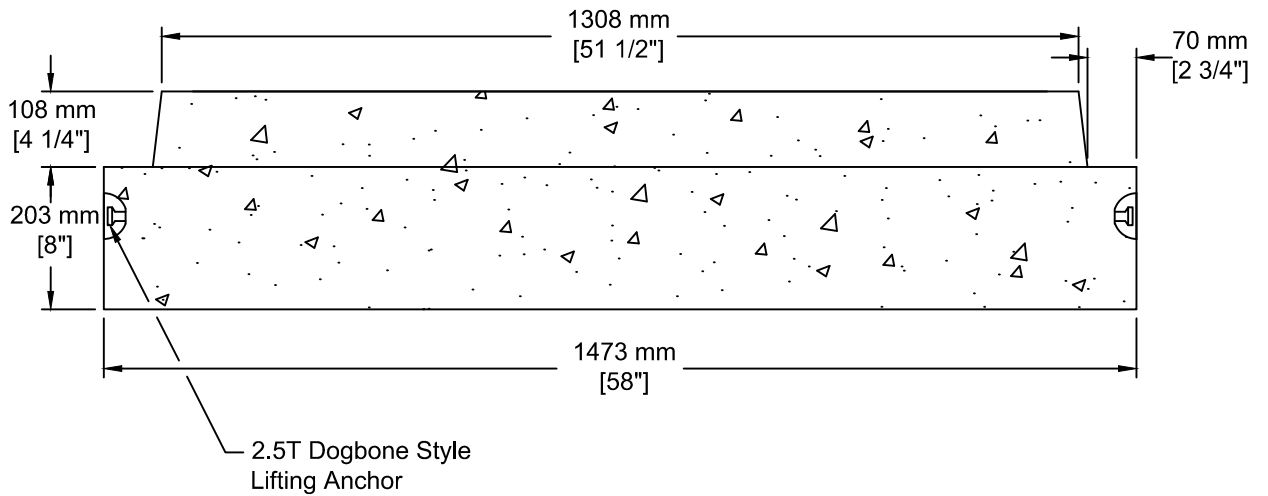


**INSTALLATION INFORMATION**

3 - 2.5T DOGBONE STYLE ANCHORS

WEIGHT: 2186 LBS / 992 KG



TEL: 250-495-7556  
socp@socp.ca  
www.socp.ca

Box 419, 11602 - 115 st Ossoyoos, BC V0H 1V0

FAX: 250-495-3556

1200 ID (48")  
Precast Manhole Base

Product #

**0349**